



# PHOENIX

## SPECIFICATIONS

### ARGO

### BASIN MIXER

PRODUCT CODE: AG770 CHR  
 FINISH: CHROME  
 WELS: 6 STAR - 4.5 LT/MIN

#### INFORMATION:

TEMPERATURE RATING: MIN 1° - MAX 75°  
 PRESSURE RATING: MIN 150 kPa - MAX 500 kPa

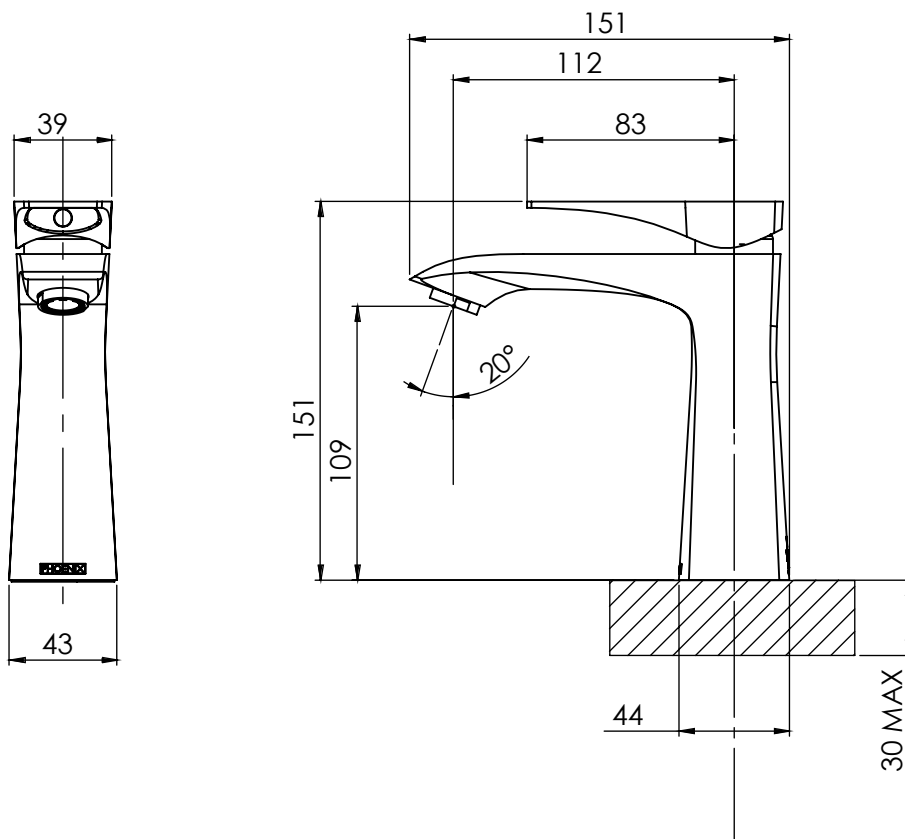


AVAILABLE IN:



CHROME

FOR MORE INFORMATION VISIT  
[www.phoenixtapware.com.au](http://www.phoenixtapware.com.au)



PLEASE [CLICK HERE TO VIEW FULL WARRANTY](#)

While we aim to ensure the specifications shown are correct at time of printing, Phoenix Tapware reserves the right to make modifications without prior notice. Always use the physical product measurements for mark-ups and roughing-in as the line drawing shown may differ from the actual product over time. All measurements are shown in millimetres.

A Registered Design and Trademark of Phoenix Industries Pty. Ltd  
V041116

[www.phoenixtapware.com.au](http://www.phoenixtapware.com.au)  
03 9780 4200



# PHOENIX

## SPECIFICATIONS

### ARGO

### BASIN MIXER

PRODUCT CODE:

AG770 CHR

FINISH:

CHROME

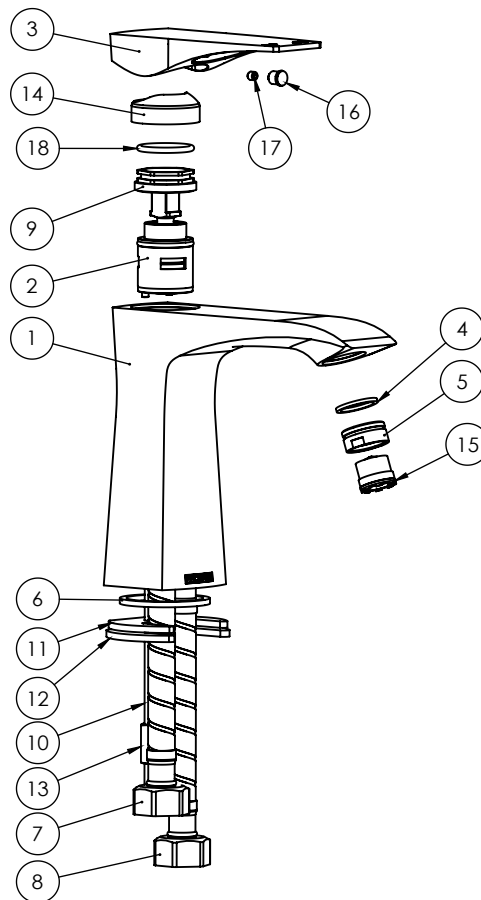
WELS:

6 STAR - 4.5 LT/MIN



#### PARTS LIST

1. MIXER BODY
2. 25MM CARTRIDGE
3. MIXER HANDLE
4. AERATOR GASKET
5. AERATOR RETAINER
6. RUBBER WASHER
7. FLEXIBLE HOSE 450MM HOT
8. FLEXIBLE HOSE 450MM COLD
9. MIXER LOCKNUT
10. M8 THREADED ROD
11. FIXING PLATE
12. RUBBER FIXING PLATE
13. M8 NUT
14. MIXER DOME
15. AERATOR
16. SCREW CAP M5
17. GRUB SCREW
18. O-RING 21X2.5MM



#### MAINTENANCE AND CARE:

- All surfaces should be cleaned with mild liquid detergent or soap and water.
- Do not use cream cleaners or citrus based cleaning products, as they are abrasive.
- Use of unsuitable cleaning agents may damage the surface. Any damage caused in this way will not be covered by warranty.

#### PACKAGING INCLUDES

- 1 x Basin Mixer
- 1 x Installation kit
- 1 x 450mm braided flexible cold hose
- 1 x 450mm braided flexible hot hose
- 1 x Installation instructions
- 1 x Warranty card

PLEASE [CLICK HERE](#) TO VIEW FULL WARRANTY

While we aim to ensure the specifications shown are correct at time of printing, Phoenix Tapware reserves the right to make modifications without prior notice. Always use the physical product measurements for mark-ups and roughing-in as the line drawing shown may differ from the actual product over time. All measurements are shown in millimetres.

A Registered Design and Trademark of Phoenix Industries Pty. Ltd  
V041116

[www.phoenixtapware.com.au](http://www.phoenixtapware.com.au)  
03 9780 4200