



PHOENIX

SPECIFICATIONS

CERCHIO

SINK MIXER 200MM GOOSENECK

PRODUCT CODE: CE730
 FINISH: CHROME
 WELS: 5 STAR - 6.0 LT/MIN

INFORMATION:

MATERIAL: BRASS
 TEMPERATURE RATING: MIN 1° - MAX 75°
 PRESSURE RATING: MIN 150 kPa - MAX 500 kPa

CONSUMER UNIT:

SIZE: L 460MM x W 270MM x H 70MM
 GROSS WEIGHT: 1.6 KG
 BARCODE EAN-13: 9 320594 017 699

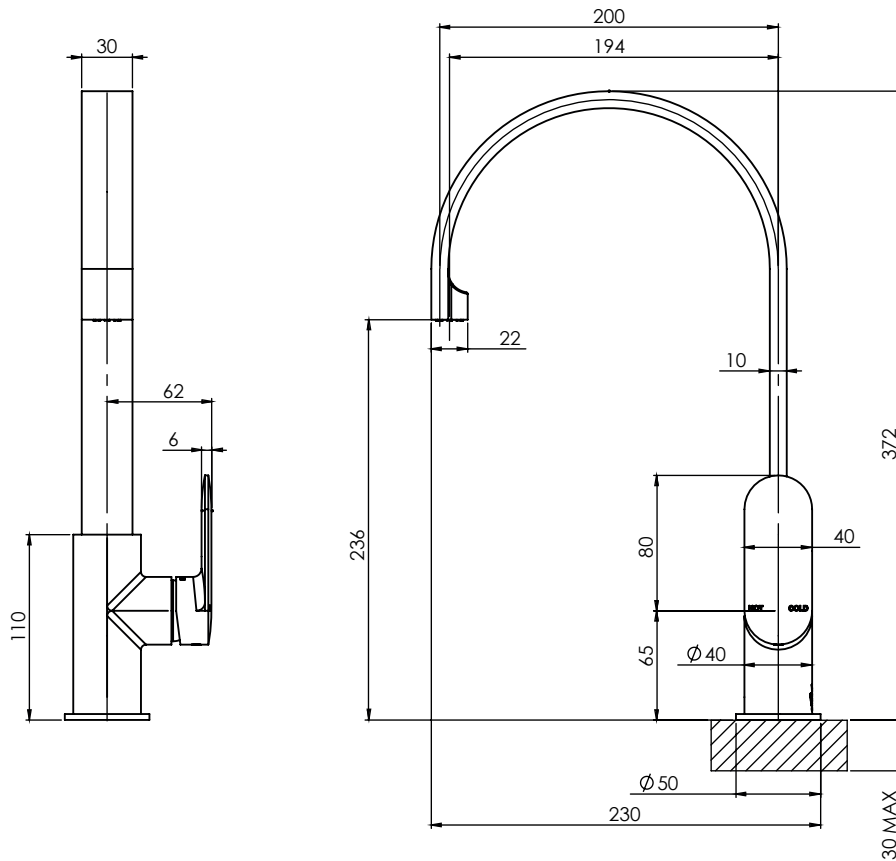


AVAILABLE IN:



CHROME

FOR MORE INFORMATION VISIT
www.phoenixtapware.com.au



PLEASE [CLICK HERE TO VIEW FULL WARRANTY](#)

While we aim to ensure the specifications shown are correct at time of printing, Phoenix Tapware reserves the right to make modifications without prior notice. Always use the physical product measurements for mark-ups and roughing-in as the line drawing shown may differ from the actual product over time. All measurements are shown in millimetres.

www.phoenixtapware.com.au
03 9780 4200



PHOENIX

SPECIFICATIONS

CERCHIO

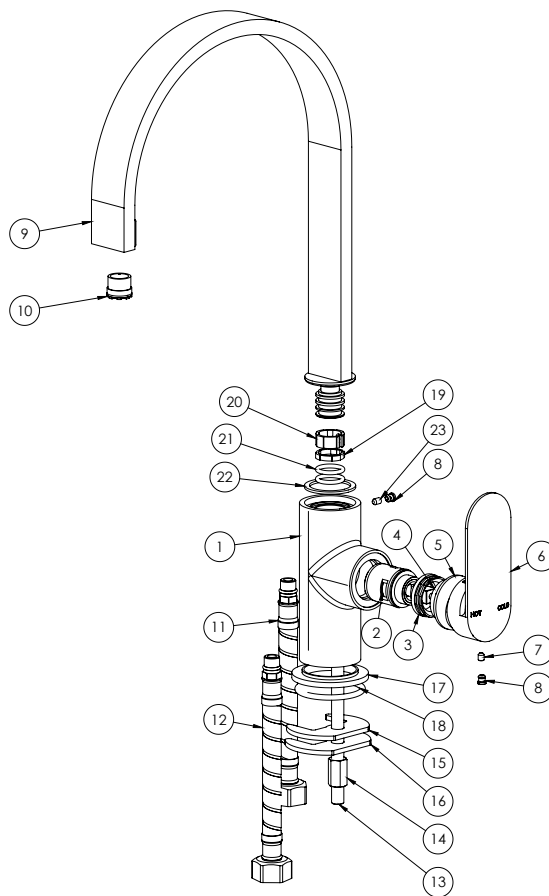
SINK MIXER 200MM GOOSENECK

PRODUCT CODE: CE730
 FINISH: CHROME
 WELS: 5 STAR - 6.0 LT/MIN



PARTS LIST

1. CERCHIO SINK BODY
2. 25MM CARTRIDGE
3. MIXER LOCK NUT
4. O-RING
5. MIXER DOME
6. SINK MIXER HANDLE
7. GRUB SCREW
8. SCREW CAP
9. SPOUT ASSEMBLY
10. AERATOR
11. FLEXIBLE HOSE 450MM COLD
12. FLEXIBLE HOSE 450MM HOT
13. M8X100MM THREADED ROD
14. M8 NUT
15. FIXING PLATE
16. RUBBER FIXING GASKET
17. BASIN MIXER PLATE
18. O-RING
19. SPOUT BEARING SHORT
20. SPOUT BEARING
21. O-RING
22. NYLON RING
23. GRUB SCREW M4X6MM



MAINTENANCE AND CARE:

- All surfaces should be cleaned with mild liquid detergent or soap and water.
- Do not use cream cleaners or citrus based cleaning products, as they are abrasive.
- Use of unsuitable cleaning agents may damage the surface. Any damage caused in this way will not be covered by warranty.

PACKAGING INCLUDES

- 1 x Sink mixer
- 1 x 450mm braided flexible cold hose
- 1 x 450mm braided flexible hot hose
- 1 x Installation kit
- 1 x Installation instructions
- 1 x Warranty card

PLEASE [CLICK HERE](#) TO VIEW FULL WARRANTY

While we aim to ensure the specifications shown are correct at time of printing, Phoenix Tapware reserves the right to make modifications without prior notice. Always use the physical product measurements for mark-ups and roughing-in as the line drawing shown may differ from the actual product over time. All measurements are shown in millimetres.

www.phoenixtapware.com.au
03 9780 4200